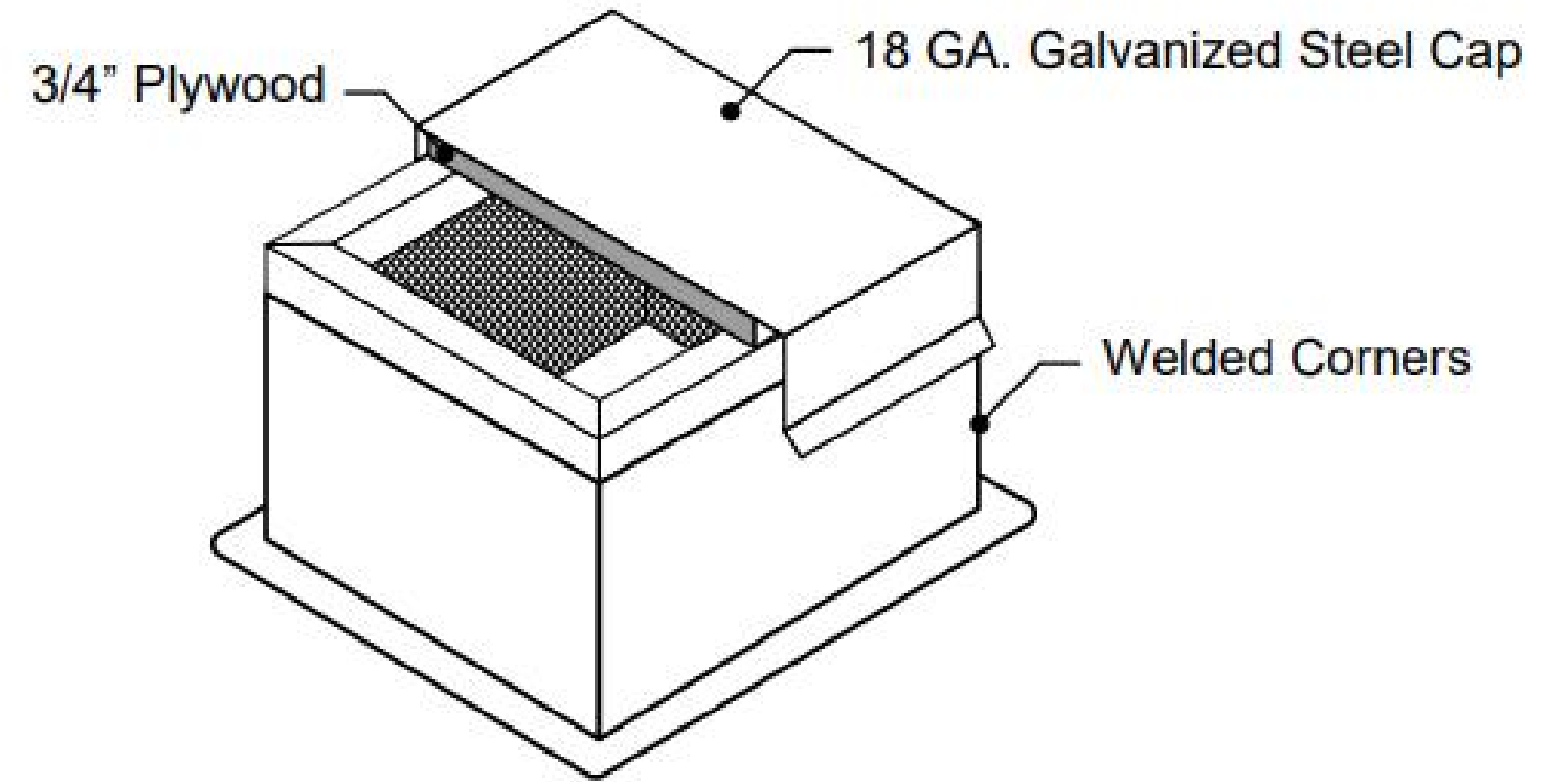


## Platform Curb



### Standard Product Features

- ✓ 18 GA. Welded Galvanized Steel Construction
- ✓ 8" & 12" Standard Height (H)
- ✓ 2" X 2" Wood Nailer
- ✓ Welded Corner Seams
- ✓ 3/4" Plywood Top
- ✓ 1.5" X 3 LB Density Rigid Insulation
- ✓ 18 ga. Cover Over Plywood

### Optional Product Features

- ✓ Aluminum or Stainless Steel Construction
- ✓ 10-16 GA. Material Construction
- ✓ Custom Heights (H)
- ✓ Pitched Roof Styles
- ✓ Burglar Bars 1/2" Round on 6" Centers
- ✓ Neoprene Gasket 1.5" X 1/4"
- ✓ Pipe Sleeve Assembly
- ✓ Solid or Perforated Interior Wall
- ✓ Insulated Cap