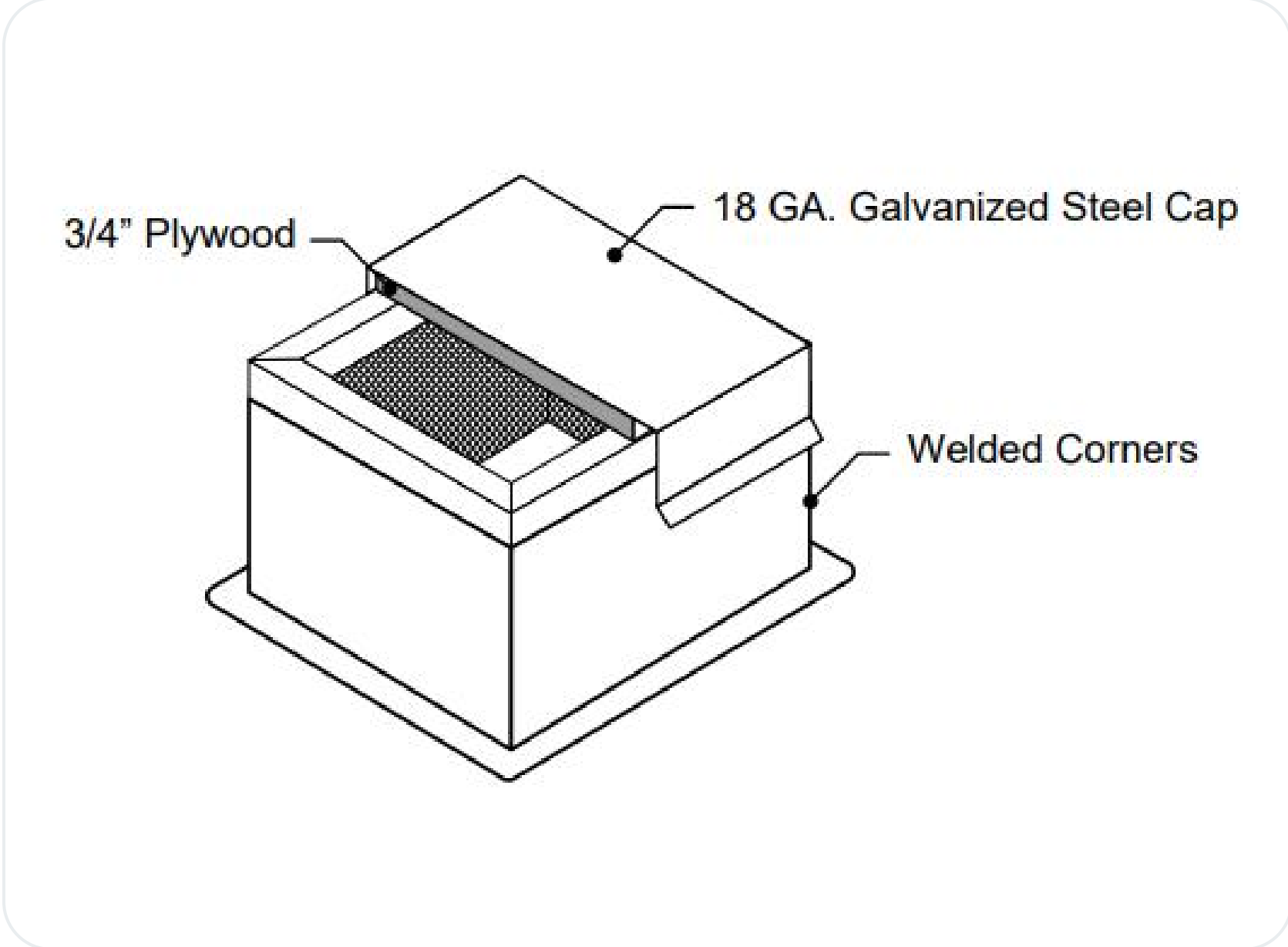
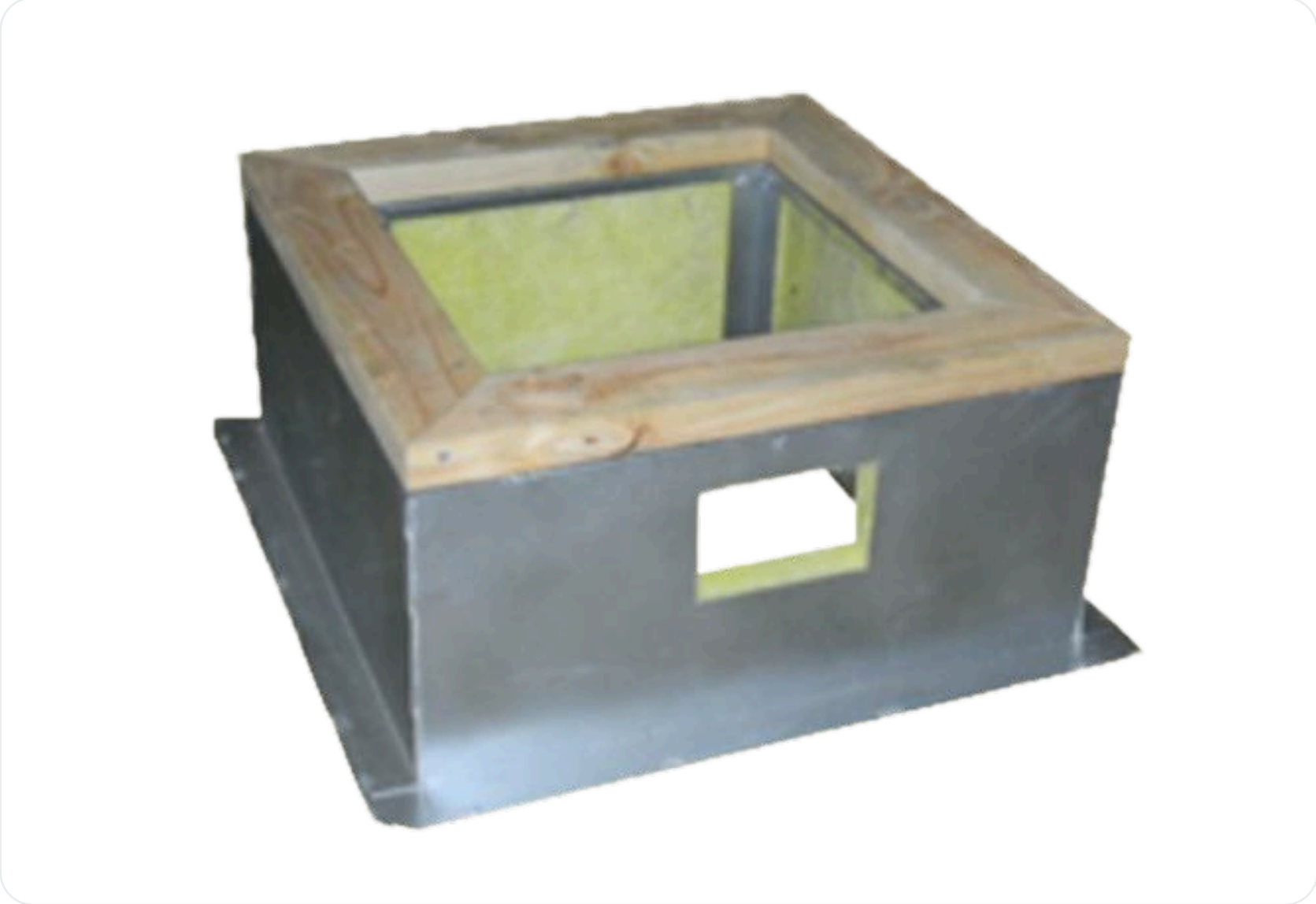


Structural Roof Curb



Standard Product Features

- ✓ 14 GA. Welded Galvanized Steel Construction Wall
- ✓ 14 GA. Perimeter Base Plate
- ✓ Intermittent Angle Reinforcement
- ✓ 12" Standard Height (H)
- ✓ Welded Corner Seams
- ✓ 1.5" X 3 LB Density Rigid Insulation

Optional Product Features

- ✓ Stainless Steel Construction
- ✓ 10-16 GA. Material Construction
- ✓ Custom Heights (H)
- ✓ Burglar Bars 1/2" Round on 6" Centers
- ✓ Damper Shelf
- ✓ Solid or Perforated Interior Wall Liner 20 GA
- ✓ Optional Hold Down Nailer Bracket
- ✓ Flat Access Panel
- ✓ Raised Access Panel (Allows For Future Inspection)

