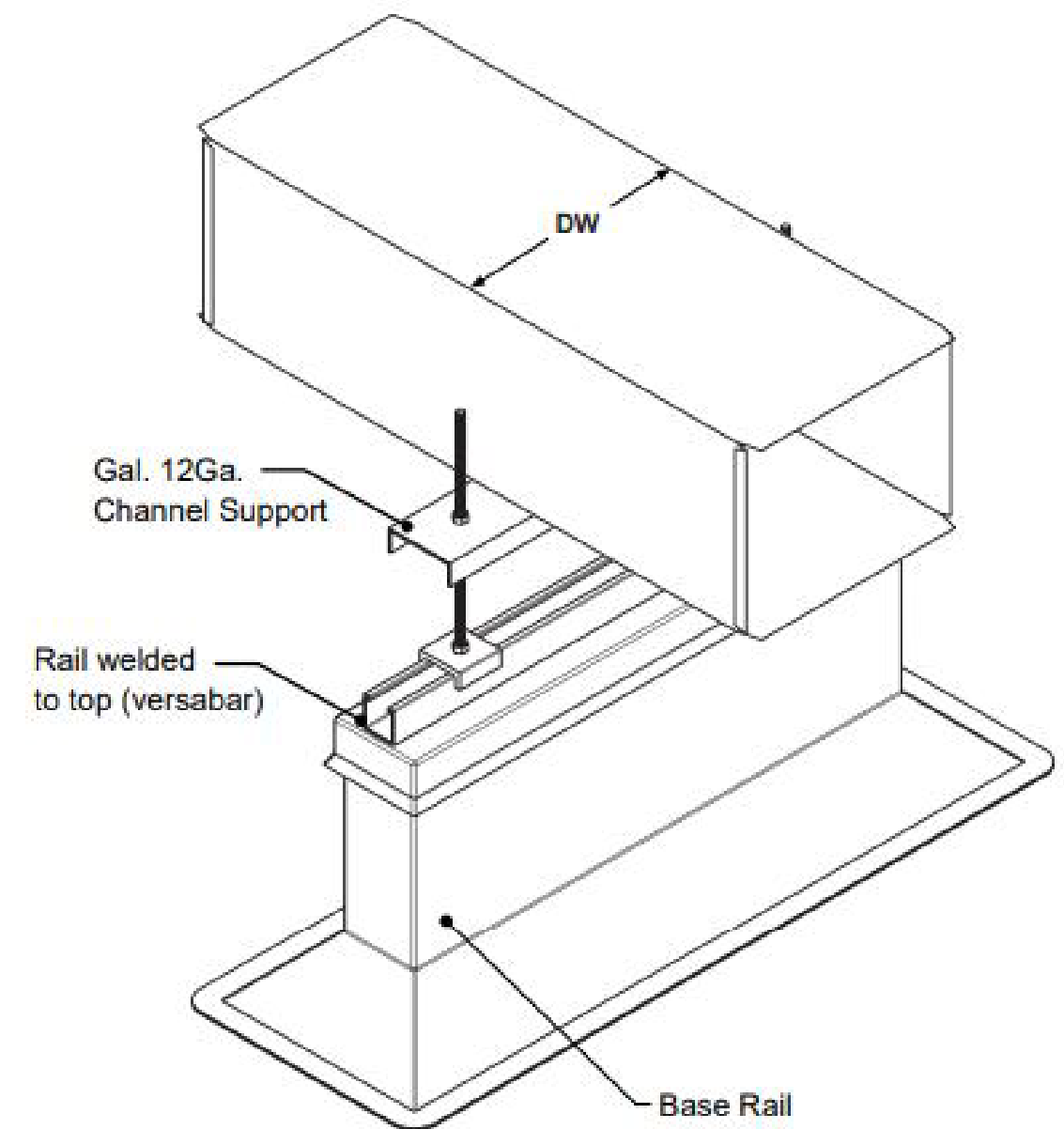
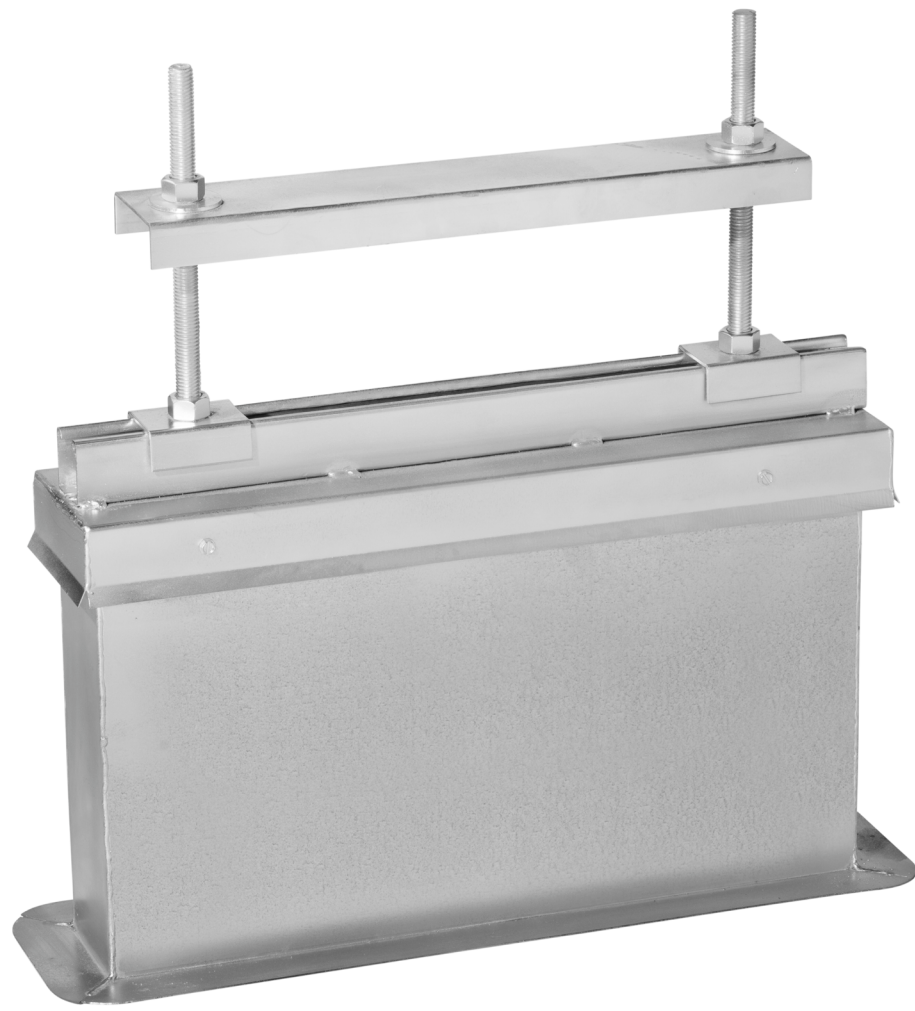


Duct Support Rail



Standard Product Features

- ✓ Base Rail Welded to Cap
- ✓ VERSABAR Channel Support
- ✓ Glides and Saddle Support
- ✓ Plastic Insert Support Glides
- ✓ 18" Long 5/8 Threaded Rod

Optional Product Features

- ✓ Aluminum or Stainless Steel Construction
- ✓ Unit Lengths up to 24 Feet
- ✓ Custom Rail Heights
- ✓ Construction to Fit Pitched Roofs
- ✓ Base Rail with Bolt on Bracket
- ✓ 16 GA Duct Saddle for Insulated Ductwork