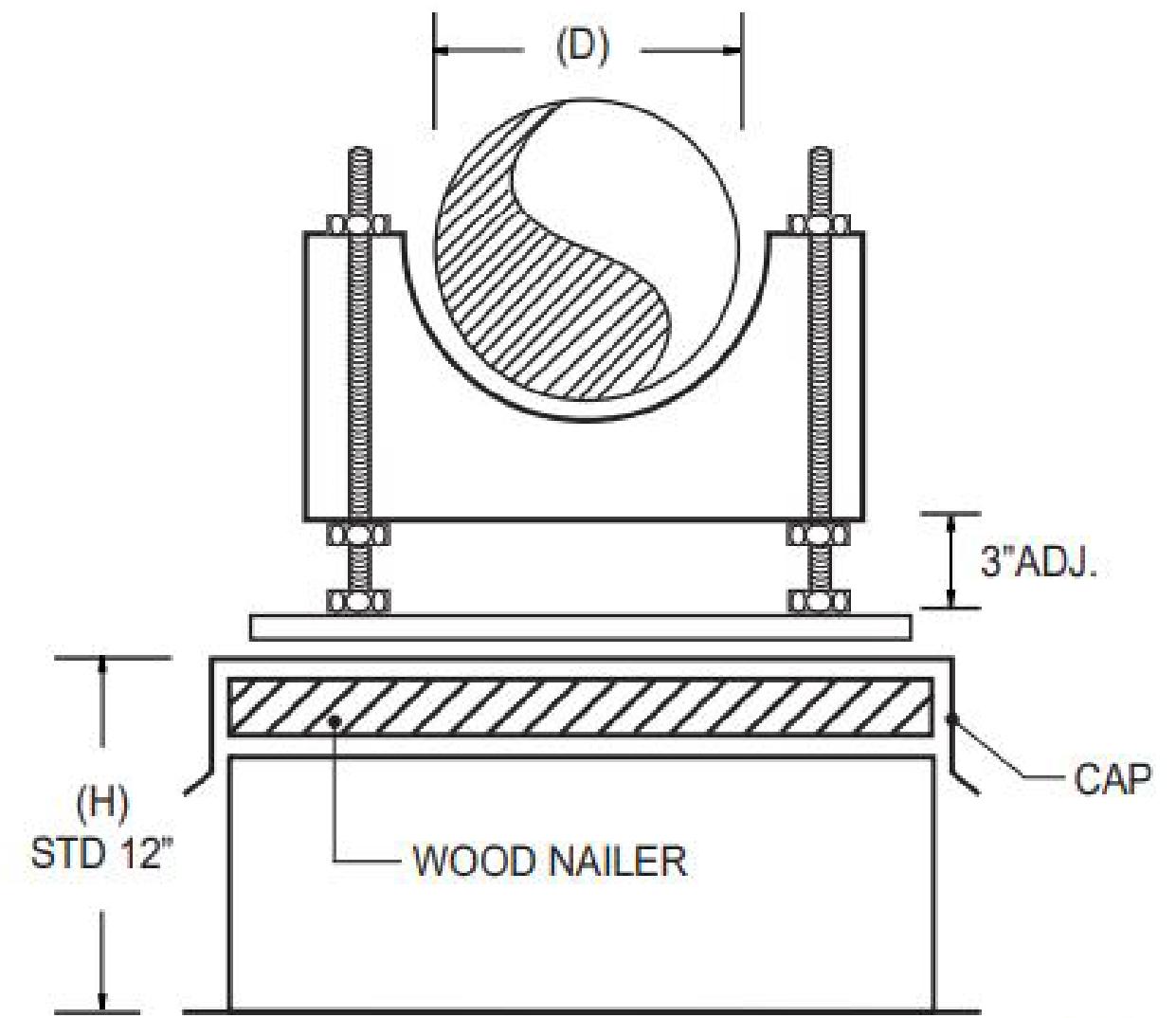
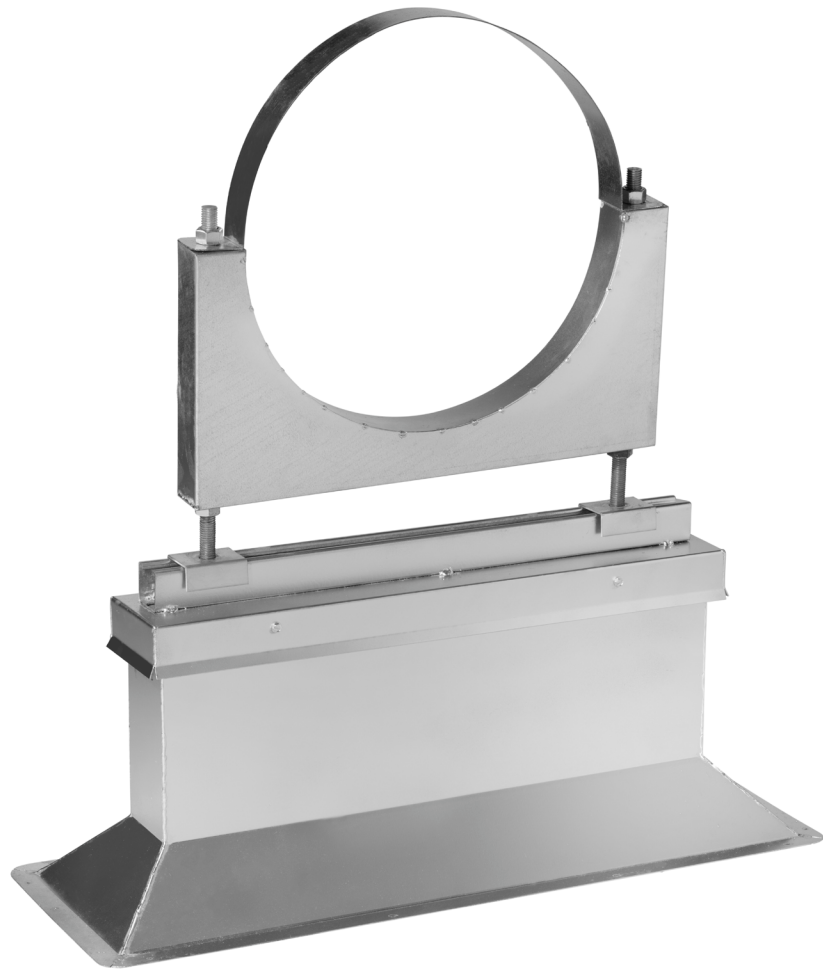


Spiral Duct Support Rail



MODEL: SER-SDS

Standard Product Features

- ✓ 16 GA. Welded Galvanized Metal
- ✓ Base Rail Welded to Cap
- ✓ VERSABAR Rail Support
- ✓ Glides and Saddle Support
- ✓ 5/8" Galvanized Steel Threaded Rods 24" Long

Optional Product Features

- ✓ Aluminum or Stainless Steel Construction
- ✓ Heavier Material Gauges
- ✓ Construction to Fit Pitched Roofs
- ✓ Longer Support Rails
- ✓ Base Rail with Bolt on Bracket
- ✓ Top Hold Down Strap