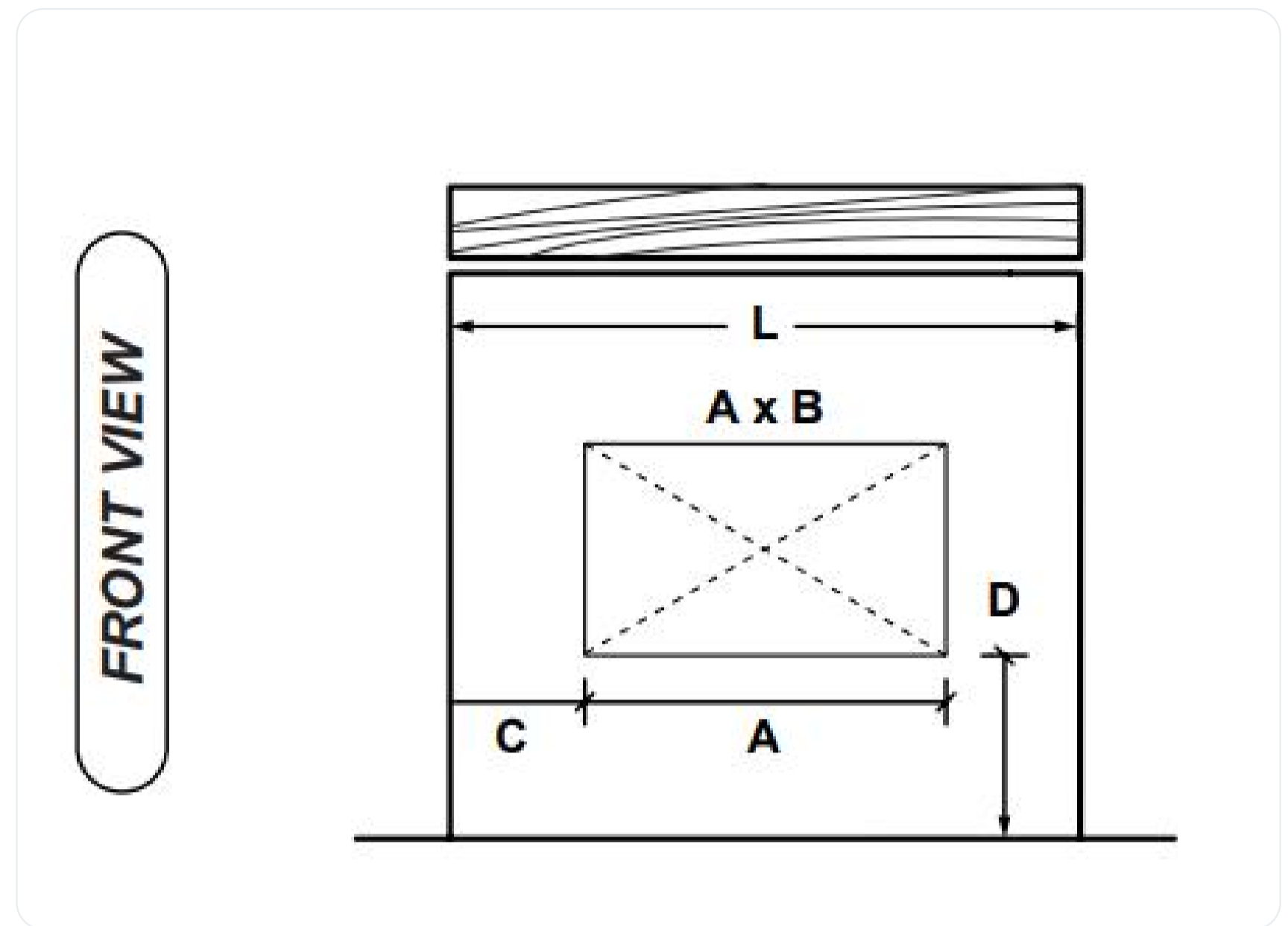
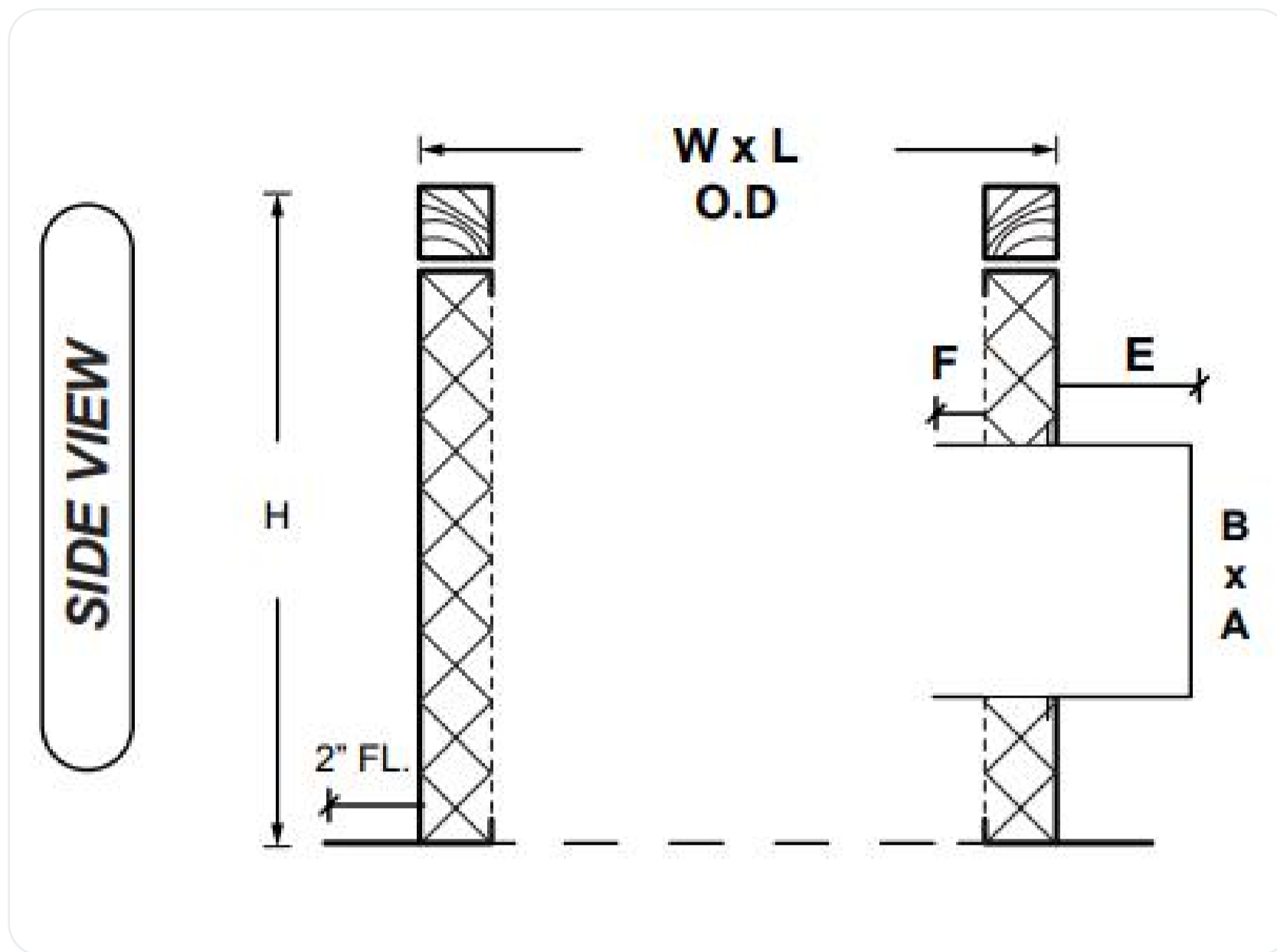


Straight Side Duct Curb



Standard Product Features

- ✓ 18 GA. Welded Galvanized Steel Construction
- ✓ 18" Standard Height (H)
- ✓ 2" X 2" Wood Nailer
- ✓ 1.5" X 3 LB Density Rigid Insulation

Optional Product Features

- ✓ Aluminum or Stainless Steel Construction
- ✓ 10-16 GA. Material Construction
- ✓ Custom Heights (H)
- ✓ Pitched Roof Styles
- ✓ Burglar Bars
- ✓ Damper Shelf