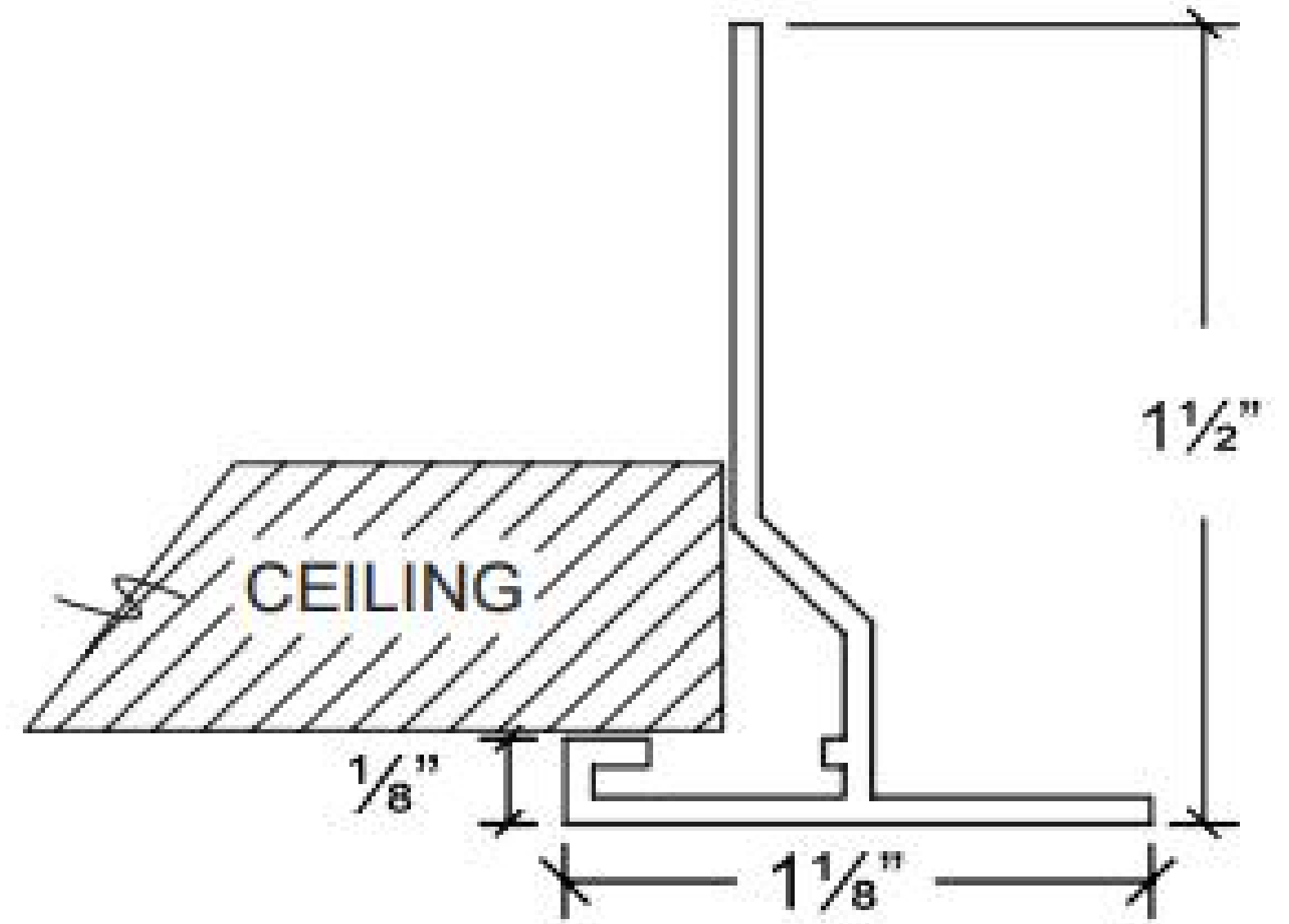


Offset Mount Frame



Model: OMPF



Standard Product Features

- ✓ Light weight aluminum extrusion with mitre corner
- ✓ Reinforcement and solid corner key.
- ✓ Comes in standard white color finish.

Optional Product Features

- ✓ Custom Frame sizes available