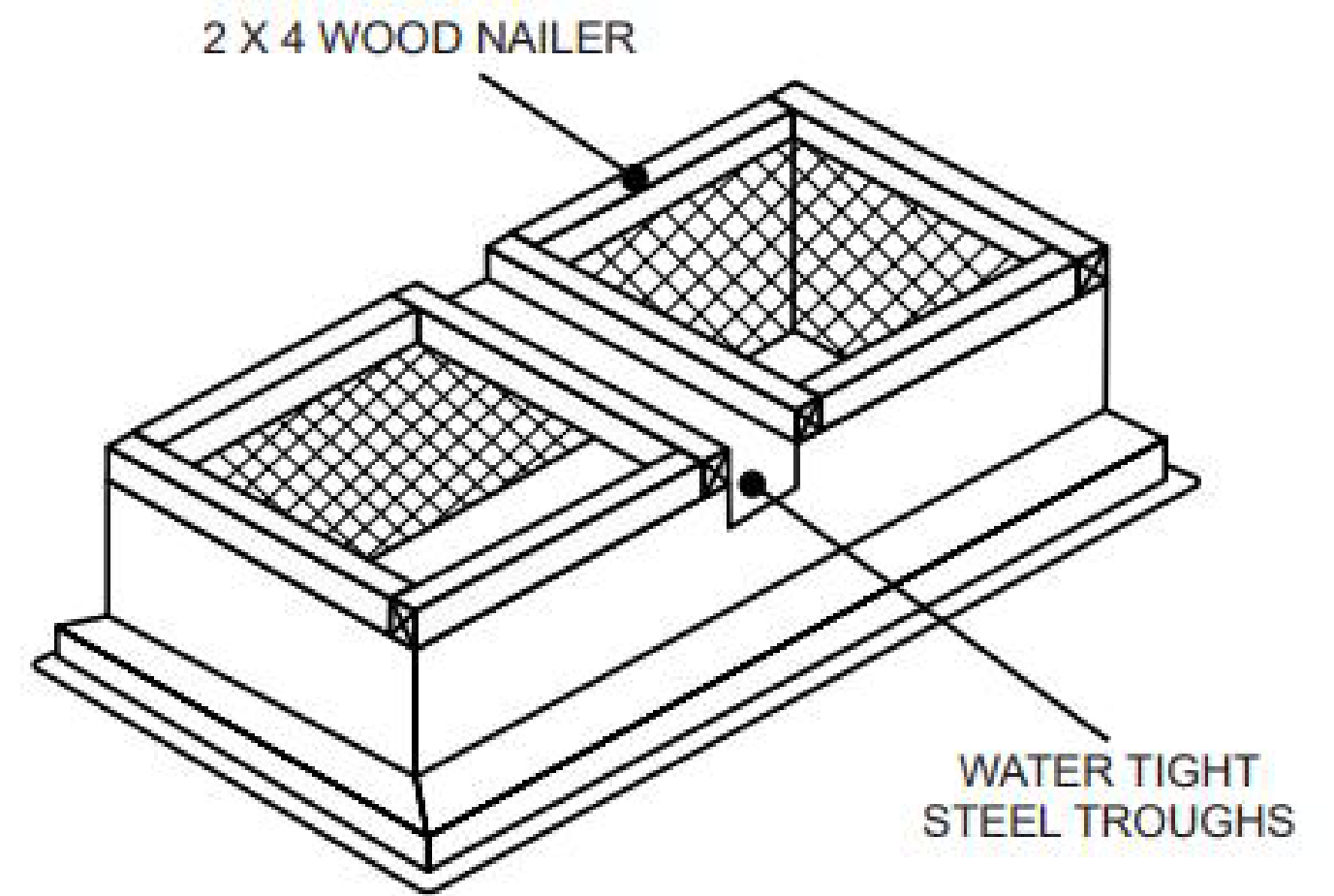
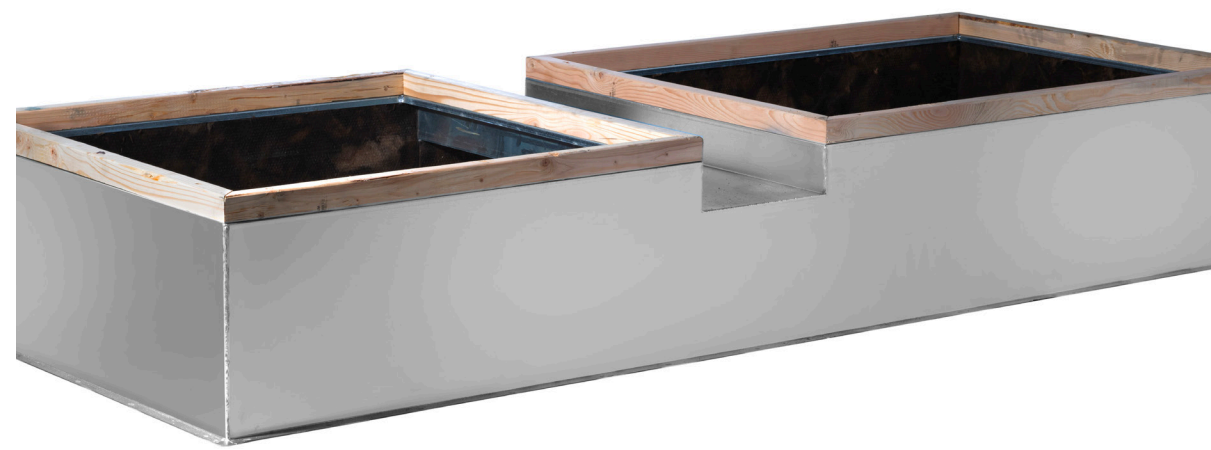


Multi Unit Curb



MODEL: CER-R-MUC

Standard Product Features

- ✓ 18 GA. Welded Galvanized Steel Construction
- ✓ 12" Standard Height (H)
- ✓ 2" X 2" Wood Nailer
- ✓ Welded Corner Seams
- ✓ Canted 3" X 3" X 45°
- ✓ 1.5" X 3 LB Density Rigid Insulation

Optional Product Features

- ✓ Aluminum or Stainless Steel Construction
- ✓ 10-16 GA. Material Construction
- ✓ Custom Heights (H)
- ✓ Pitched Roof Styles
- ✓ Burglar Bars
- ✓ Damper Shelf
- ✓ Custom Pipe Portal Caps
- ✓ Solid or Perforated Interior Wall