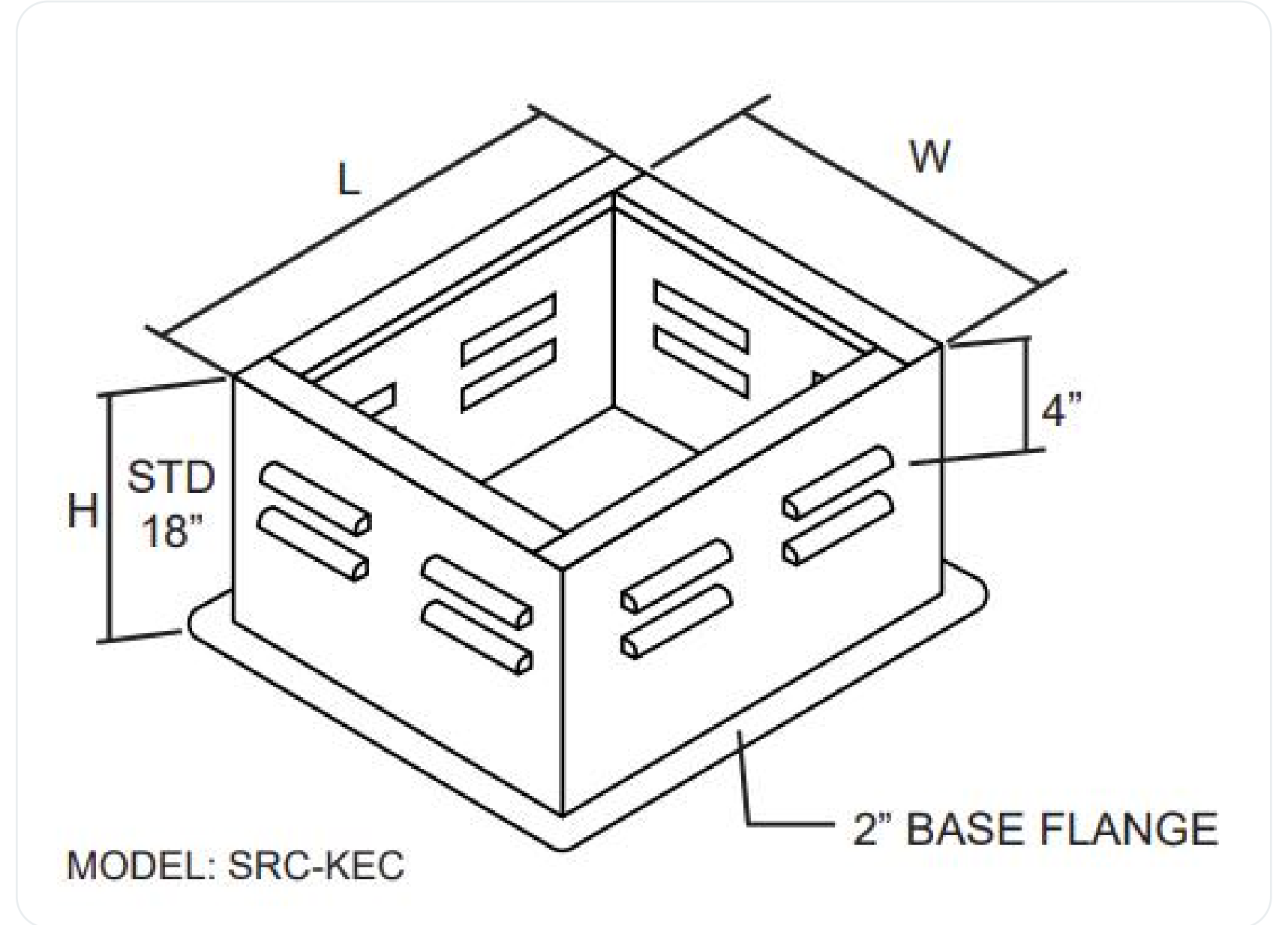


## Kitchen Exhaust Curb



### Standard Product Features

- ✓ 18 GA. Welded Galvanized Steel Construction Wall
- ✓ 18" Standard Height (H)
- ✓ Welded Corner Seams
- ✓ Neoprene Gasket 1.5" X 1/4"

### Optional Product Features

- ✓ Aluminum or Stainless Steel Construction
- ✓ 10-16 GA. Material Construction
- ✓ Custom Heights (H)
- ✓ Pitched Roof Styles

