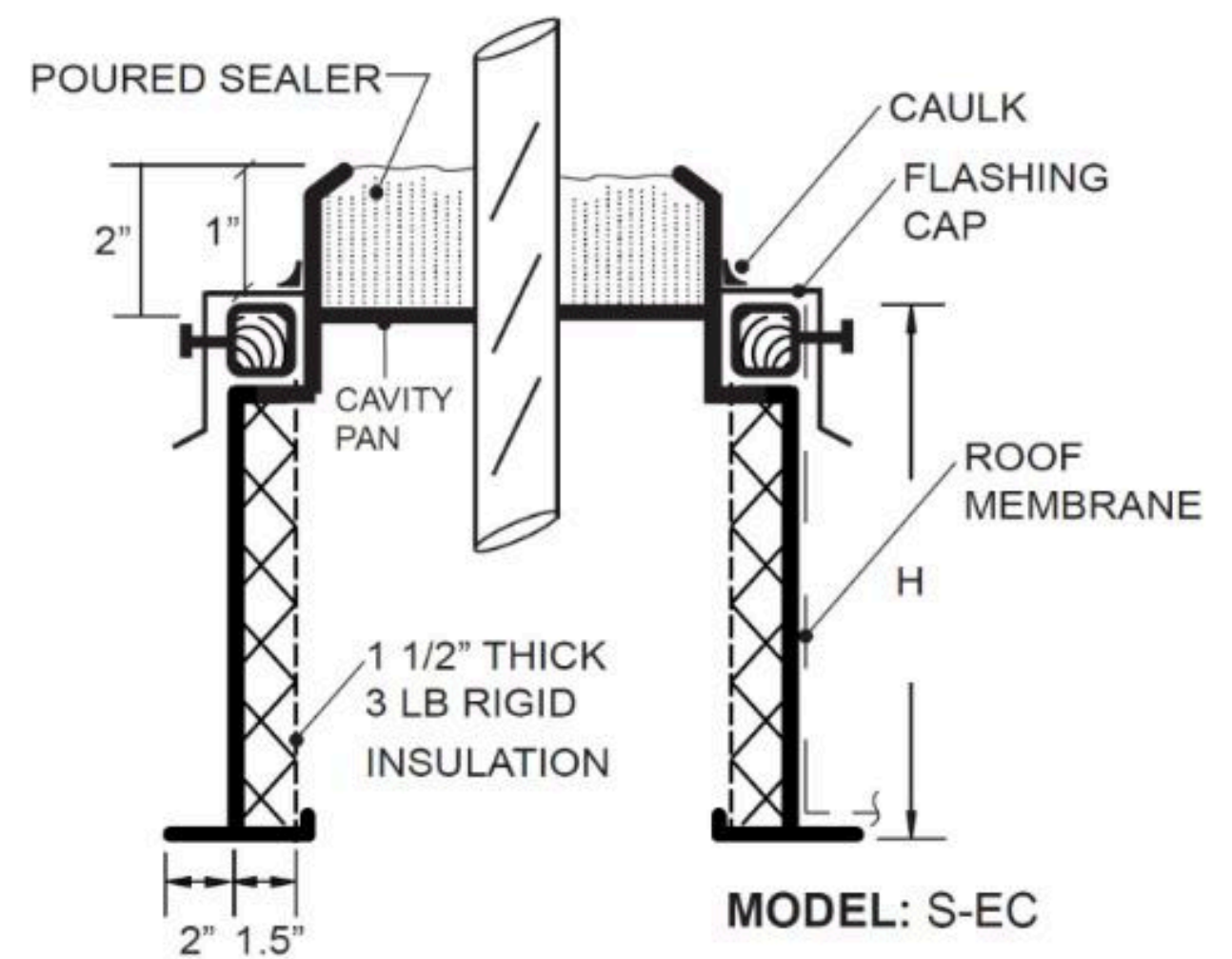


Epoxy Curb



Standard Product Features

- ✓ One Piece Aluminum Construction
- ✓ Large Base Flange
- ✓ Integrated Step PVC Pipe Sleeve
- ✓ Adjustable Stainless Steel Worm Clamps

Optional Product Features

- ✓ Aluminum or Stainless Steel Construction
- ✓ 10-16 GA. Material Construction
- ✓ Custom Heights (H)
- ✓ Pitched Roof Styles
- ✓ Burglar Bars
- ✓ Damper Shelf
- ✓ Custom Pipe Portal Caps
- ✓ Solid or Perforated Interior Wall