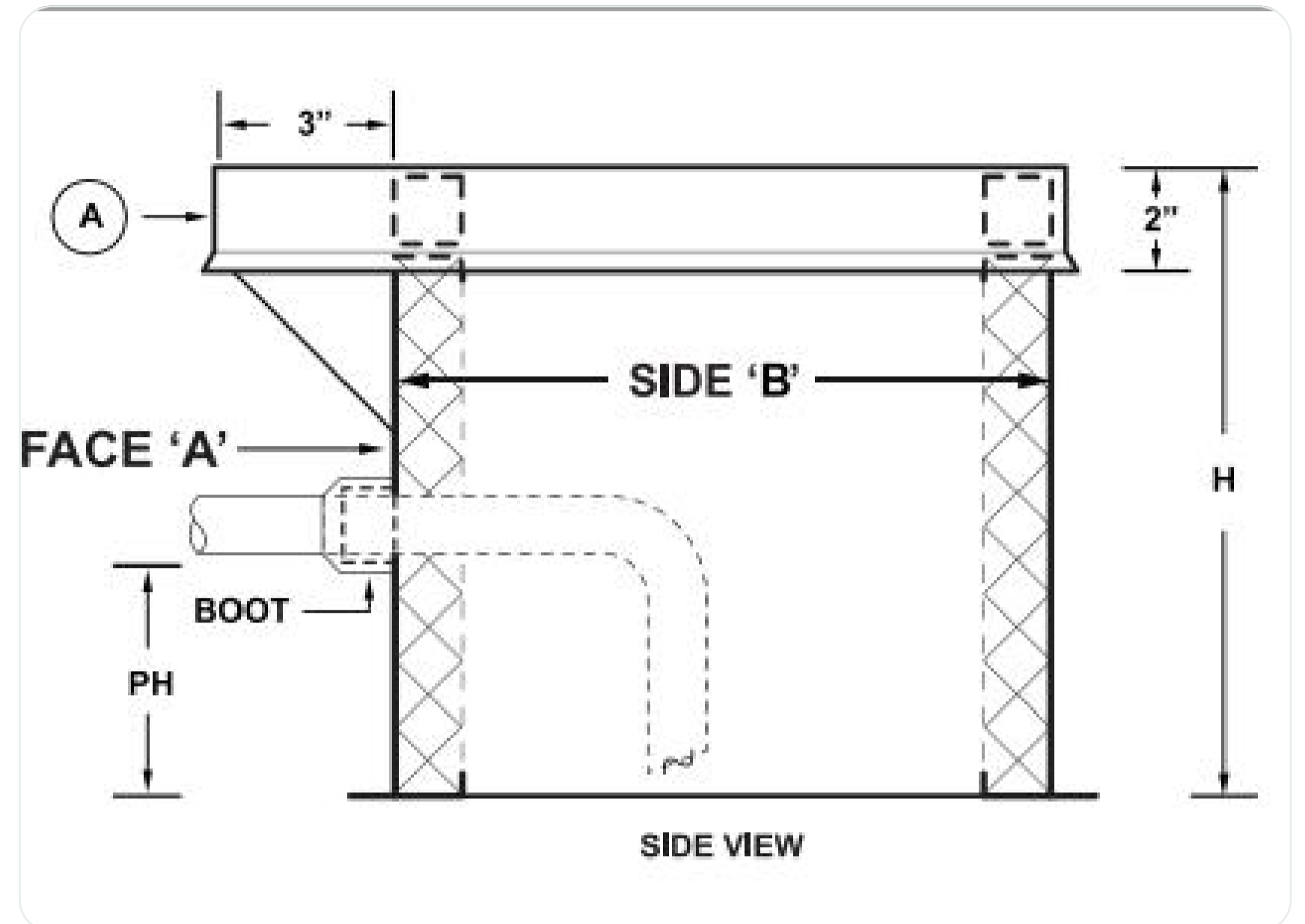


## Custom Pipe Curb - Side



### Standard Product Features

- ✓ 18 GA. Welded Galvanized Steel Construction
- ✓ 8" & 12" Standard Height (H)
- ✓ 2" X 2" Wood Nailer
- ✓ Welded Corner Seams
- ✓ Cant 3" X 3" X 45°
- ✓ 1.5" X 3 LB Density Rigid Insulation

### Optional Product Features

- ✓ Additional Penetrations
- ✓ Graduated Boots come in varieties of sizes From 3/8" to 18"
- ✓ Custom Size Metal Cap