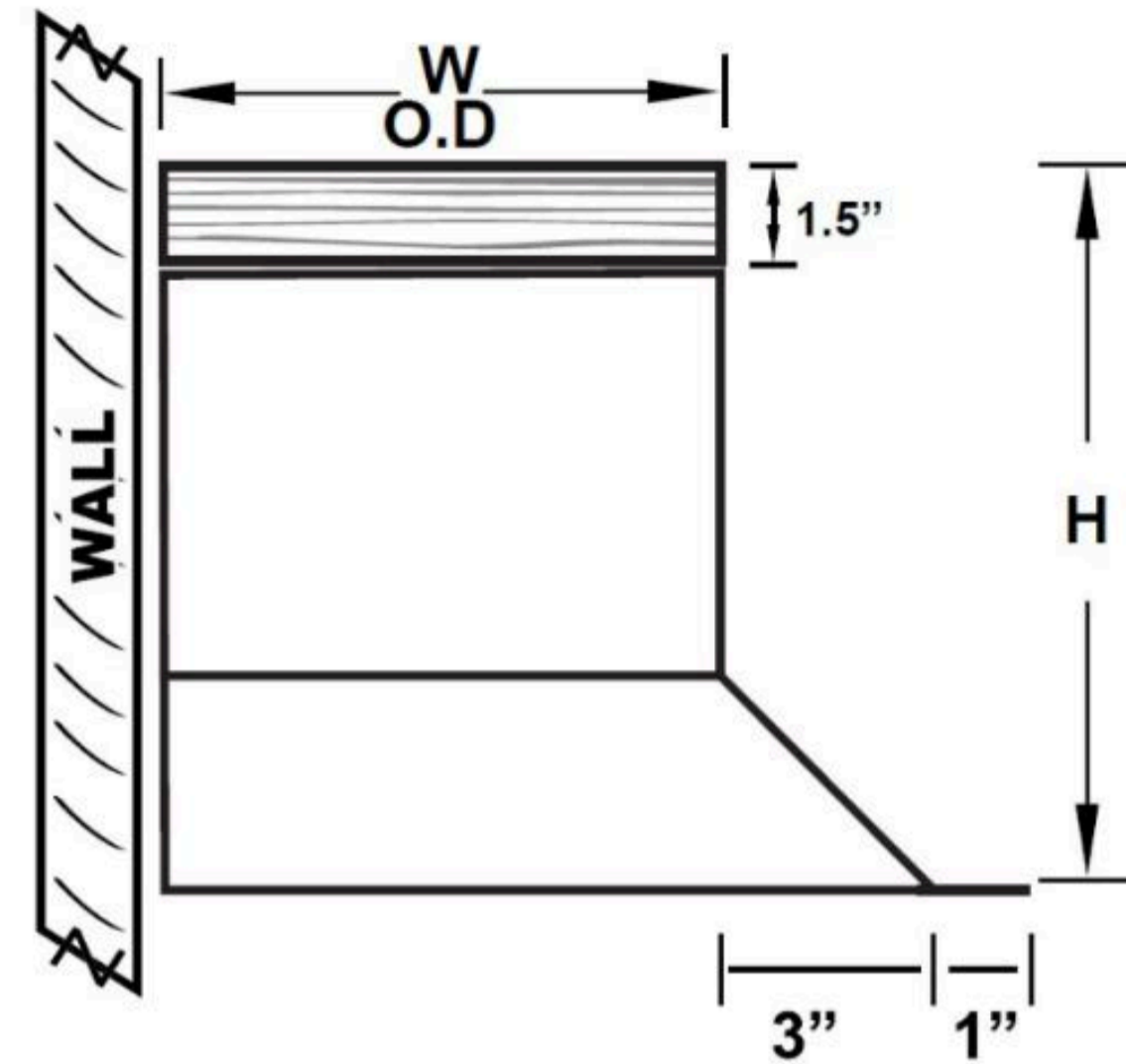


3 Sided Curb - Canted



Standard Product Features

- ✓ 18 GA. Welded Galvanized Steel Construction
- ✓ 8" & 12" Standard Height (H)
- ✓ 2" X 2" Wood Nailer
- ✓ Welded Corner Seams
- ✓ 3.5" X 3 LB Density Rigid Insulation

Optional Product Features

- ✓ Aluminum or Stainless Steel Construction
- ✓ 10-14 GA. Material Construction
- ✓ Custom Heights (H)
- ✓ Pitched Roof Styles
- ✓ Burglar Bars
- ✓ Damper Shelf
- ✓ Custom Pipe Portal Caps
- ✓ Solid or perforated Interior Wall