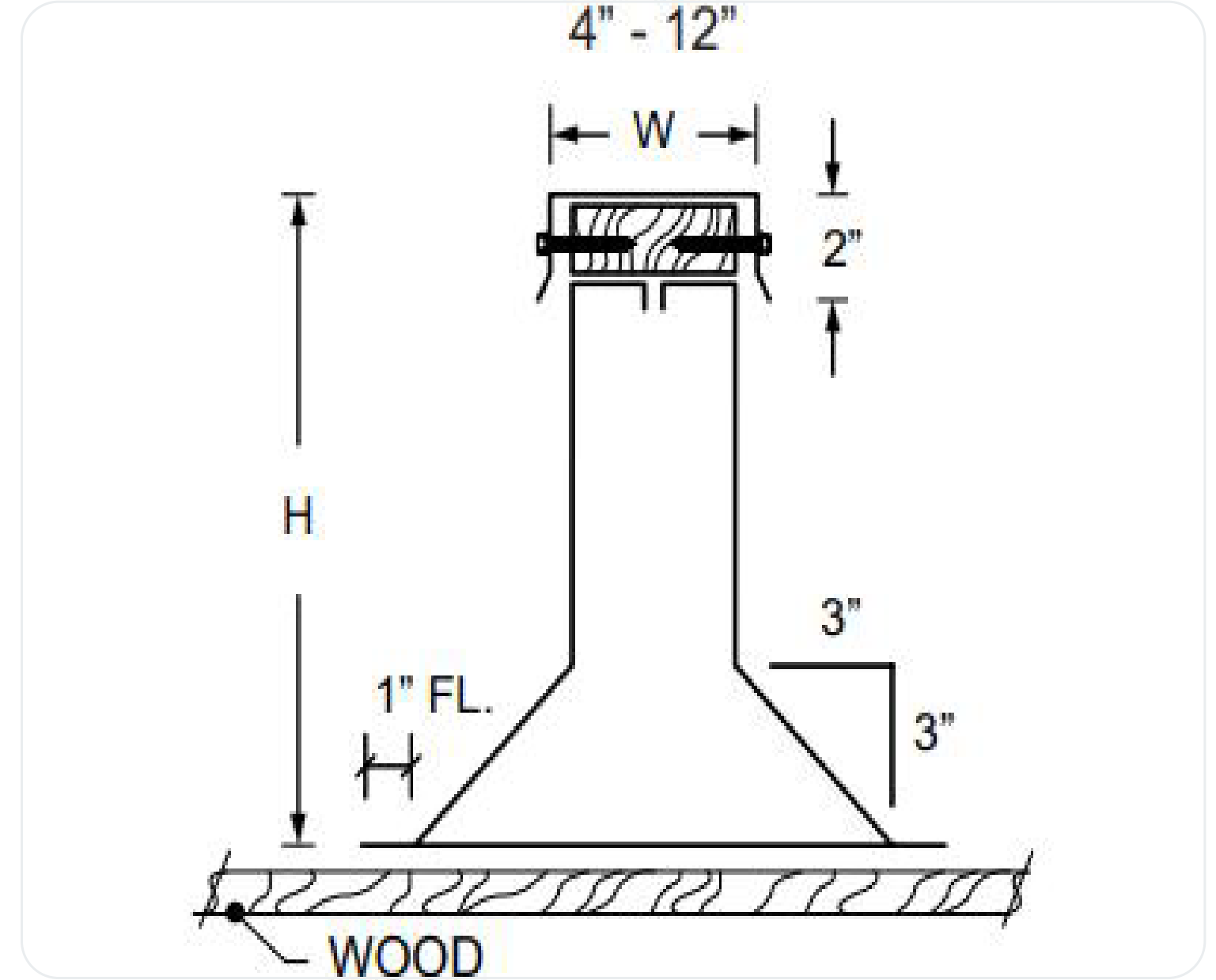


## Canted Equipment Rail



### Standard Product Features

- ✓ 18ga. Galvanized Metal - Welded Construction
- ✓ 12" Standard Height (H)
- ✓ Patented Interior Bulkhead Reinforcement
- ✓ 2" x 4" Wood Nailer
- ✓ Welded Corner Seams
- ✓ Stock Lengths 2', 3', 4', 5', 6', 8', and 10'

### Optional Product Features

- ✓ Aluminum or stainless steel construction
- ✓ Heavier material gauges (10-16 GA.)
- ✓ Custom widths and Wood Nailer
- ✓ Custom lengths and heights (H)
- ✓ Rails made in sections for field installation
- ✓ Nailer hold down brackets
- ✓ Optional strut channel welded to cap
- ✓ Insulated bulkhead rail
- ✓ Seismic and wind shear certification